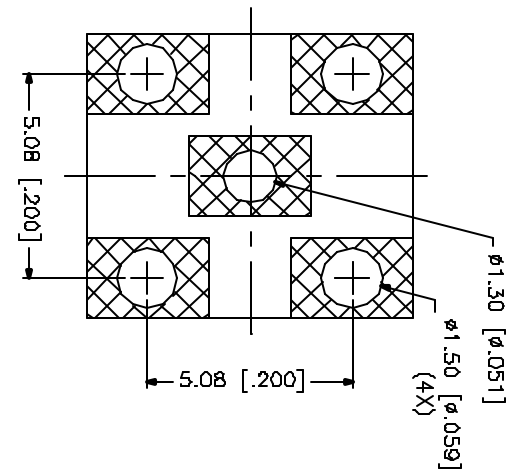
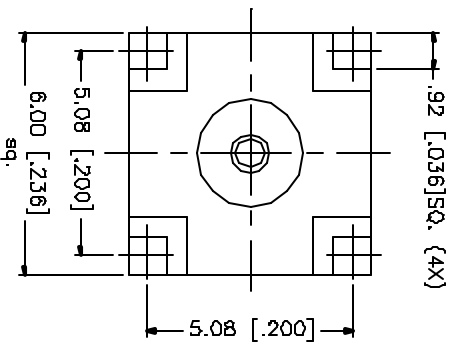
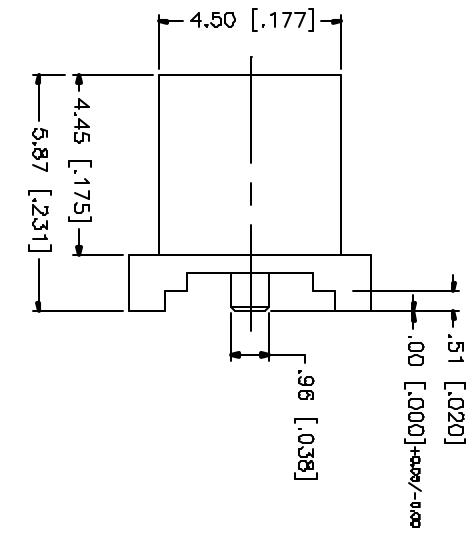


REV.	DATE	DESCRIPTION
A	12/14/00	MODIFY MOUNTING LEGS
B	01/05/03	MODIFY MOUNTING LEGS
C	08/25/04	ADD RECOMMENDED PCB LAYOUT



QTY	FINISH	MATERIAL	DESCRIPTION
1	NATURAL	TEFLON	INSULATOR
1	GOLD	BER. COPPER	CONTACT PIN
1	GOLD	BRASS	HOUSING/BODY

DATE	APPROVALS	DATE	DESCRIPTION
08/25/04	G.R.S.		

REV.	DATE	DESCRIPTION
1	08/25/04	ADD RECOMMENDED PCB LAYOUT

<p><b>Amphenol Connex</b></p> <p>MCX P.C. BOARD RECEPT. JACK (SURFACE MOUNT - 50ohms)</p>	<p>252117</p>
---	---------------

<p>UNLESS OTHERWISE SPECIFIED, DIMENSIONS ARE IN MILLIMETERS, ANGLES IN [ ] DEGREES, AND DIMENSIONS ARE TO UNLESS OTHERWISE SPECIFIED.</p> <p>UNLESS OTHERWISE SPECIFIED, DIMENSIONS ARE IN MILLIMETERS, ANGLES IN [ ] DEGREES, AND DIMENSIONS ARE TO UNLESS OTHERWISE SPECIFIED.</p>	<p>UNLESS OTHERWISE SPECIFIED, DIMENSIONS ARE IN MILLIMETERS, ANGLES IN [ ] DEGREES, AND DIMENSIONS ARE TO UNLESS OTHERWISE SPECIFIED.</p>
---	--

DD NOT SCALE DRAWING	C:\252\252117.DWG	REV. C	SCALE NA
----------------------	-------------------	--------	----------